

This document is in the property and copyright of EPAK GmbH.
All rights reserved.



GmbH

Entwicklungs- und Produktionsgesellschaft für
Automobil- und Kommunikationselektronik mbH

Spinnereistrasse 7
04179
Leipzig

GERMANY

Technical Data

EPAK ® TV 44 Single EU

Maritime TV Tracking Antenna

This document is confidential between EPAK® GmbH and the receiving party . Any distributing, publishing, forwarding or similar is not allowed. All Data, Specifications, Drawings etc. are subject of change. This document is not a commercial offer.



Data sheet for EPAK® TV44

Maritime TV tracking Antenna

Antenna:

Type:	Fully automated maritime TV tracking antenna 2-axes servo belt
Azimuth turns:	unlimited (Rotary Joint)
Antenna Elevation Range:	5° to 85°
Polarisation Angle:	Range is +/- 120°
Reflector:	45cm, Cassegrain
LNB output:	Single
Feed:	included
GPS:	included in antenna
Power supply:	12-36V DC
Weight:	about 12kg (ODU)
Radome Diameter:	55cm
Radome Height:	55cm
Minimum EIRP:	50 dBW
Lock on Time:	20 sec.

Control Unit:

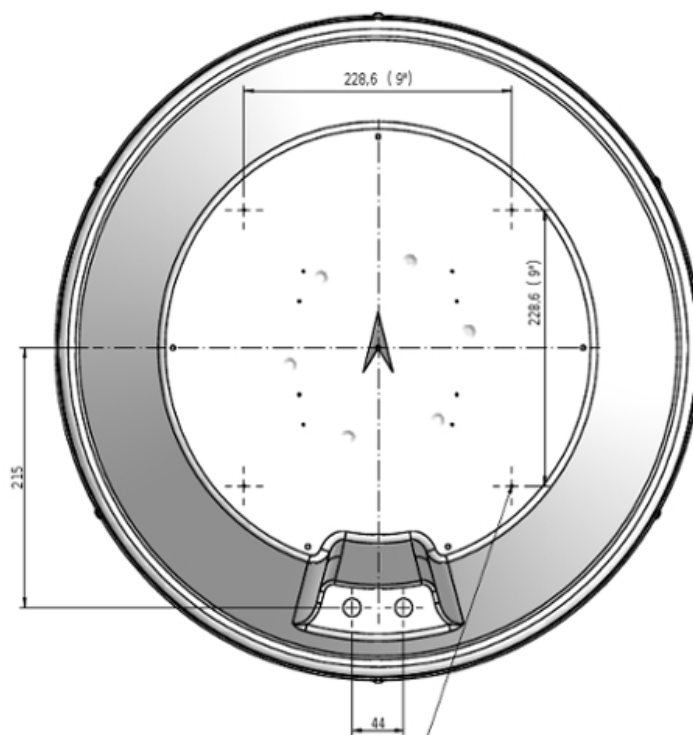
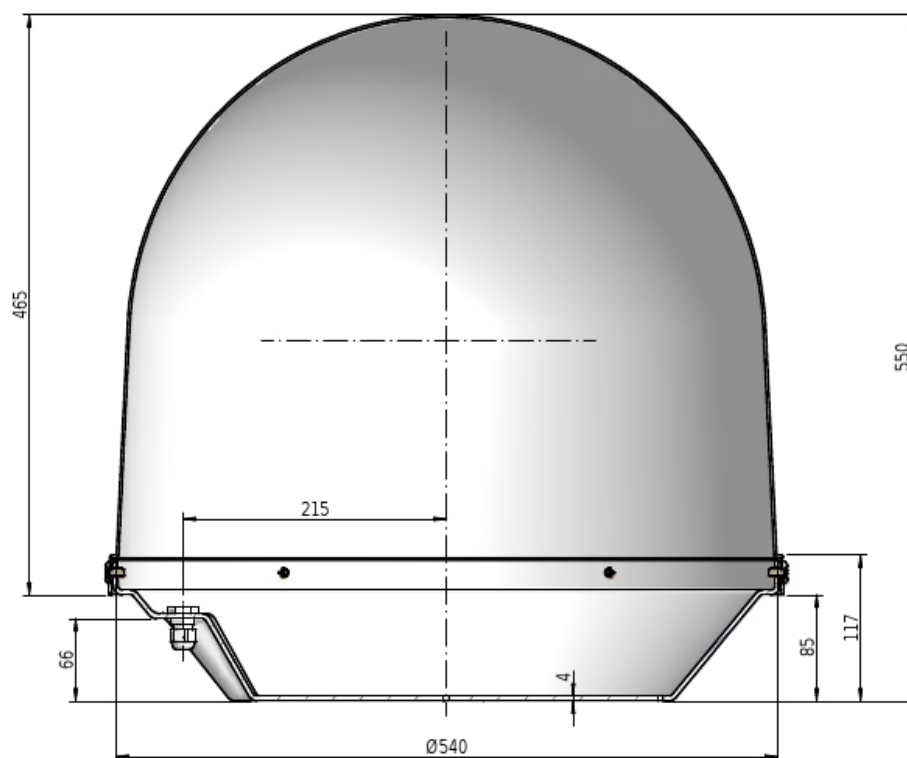
Power supply:	12-20 VDC, 100mA, powered by receiver
Satellite Acquisition:	completely automated by SatFingerprint technology
Satellite Positions:	4
Number of Preconfigured Satellites:	20
Satellite Selection:	by control unit or by DiSEqC – receiver
Operation temperature:	0° to 40°
Storage temperature:	-30° to 85°

Tracking Parameters:

external interface:	no external interface for tracking necessary
Tracking Speed:	up to 40°/ second
Polarisation angle tracking:	manually
Azimuth tracking:	fully automated
Elevation tracking:	fully automated
Tracking Sensors:	Electronic Beamforming (EBF-Gyro) for Tracking during present sat signal/ Solid State Sensor for tracking during blocked sat signal
EBF-Sensor Rate (refresh):	12.5 msec (80 times per second)

The Antenna will be delivered in a cardboard box.

Dimensions EPAK® TV44 (ODU)



Positions of possible Mounting Holes
(Diameter : 8.5 ... 9.0 mm)